

ETL listed for indoor use

CAUTION:

* T-BAR LED Smartlight™ is designed to work with Class 2 - 24Vdc power supply only. Use of any other power source will cause damage, shorten the life of the fixture and may void the warranty.

* This fixture must be installed and wired by a qualified electrician.

* JLC-Tech LLC will not be held responsible if the fixtures are not installed according to applicable codes and safety standards.

* Installation is subject to local code and jurisdiction.

* Keep these instructions for the person responsible for the maintenance of this installation.

	Number of fixtures	MODEL	Number of fixtures	MODEL
Option 1 Total load* 96W	6	HIGH POWER 2 foot / 60cm Total W/fixture 16W	/	/
Option 2 Total load* 96W	4	HIGH POWER 2 foot / 60cm Total W/fixture 16W	1	HIGH POWER 4 foot / 120cm Total W/fixture 32W
Option 3 Total load* 96W	3	HIGH POWER 4 foot / 120cm Total W/fixture 32W	/	/
Option 4 Total load* 96W	2	HIGH POWER 4 foot / 120cm Total W/fixture 32W	2	HIGH POWER 2 foot / 60cm Total W/fixture 16W

* Total load does not include power supply consumption



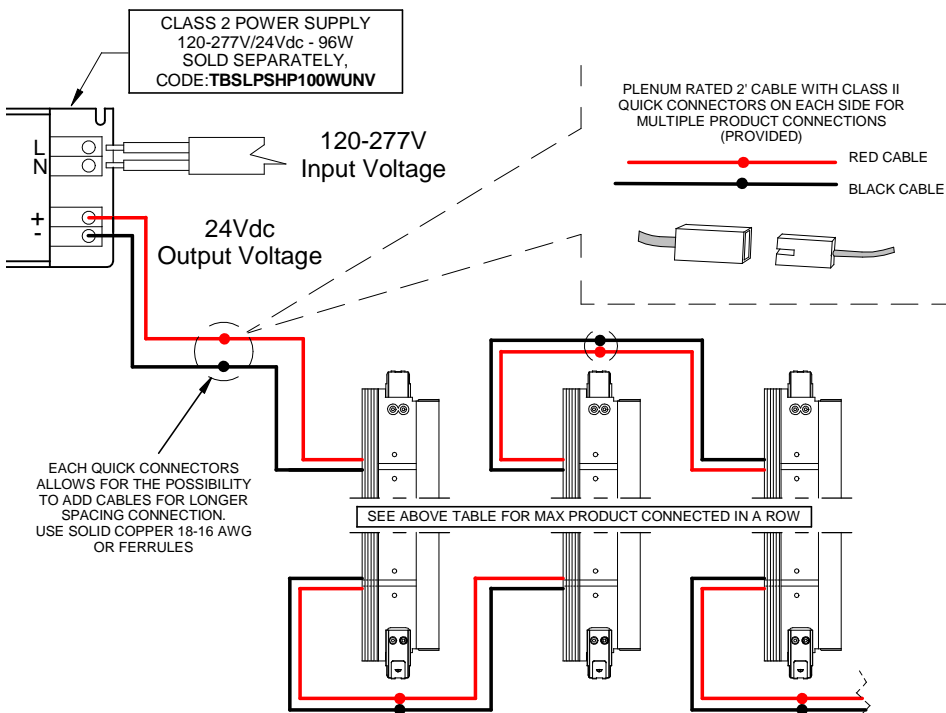
RoHS



U.S. Patent
No. 8,177,385

MADE IN USA

HOW TO ELECTRIFY THE T-BAR LED Smartlight™



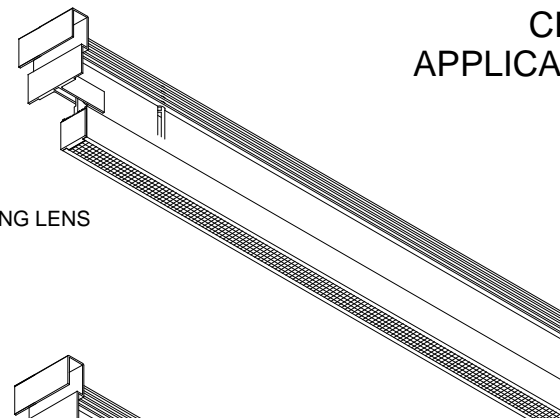
ATTENTION! READ ALL INSTRUCTIONS ENTIRELY BEFORE INSTALLATION

ATTENTION: READ ALL INSTRUCTIONS ENTIRELY BEFORE INSTALLATION

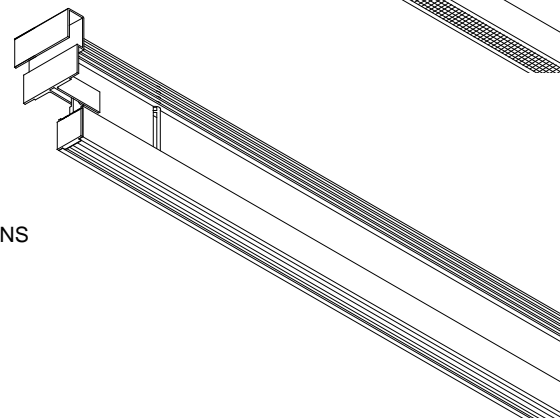
THE NEXT
GENERATION GREEN
LIGHTING SOLUTION
FOR SUSPENDED
CEILING
APPLICATIONS



DIFFUSING DE-GLARING LENS



ASYMMETRIC LENS



SPECIFICALLY
DESIGNED FOR 9/16" (T15) GRID

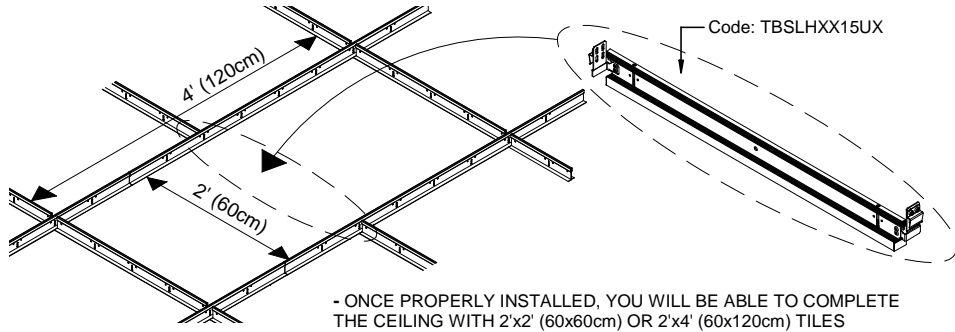


CODE: TBSLHXX15UX.04

ATTENTION! READ ALL INSTRUCTIONS ENTIRELY BEFORE INSTALLATION

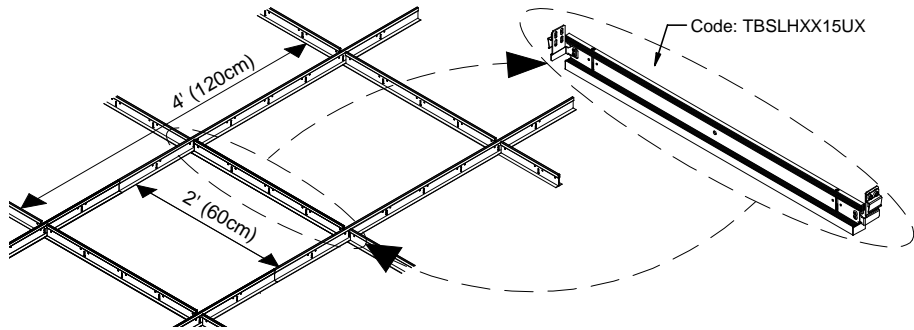
WHERE I CAN INSTALL THE T-BAR LED Smartlight™

- IN A NEW CEILING INSTALLATION 9/16" (T15) GRID, ORGANIZE THE PLOT TO HAVE 2'x4' (60x120cm) OR 4'x4' (120x120cm) SPACES WHERE THE 2' OR 4' T-BAR LED Smartlight™ WILL BE INSTALLED (ACCORDING TO THE LIGHT REQUIREMENT)
- INSTALL THE T-BAR LED Smartlight™ AT THE CENTER OF THE SPACE, CREATING TWO SECTION OF 2'x2' (60x60cm) OR 2'x4' (60x120cm) EACH, DEPENDING IF USING A 2' OR 4' T-BAR LED Smartlight™



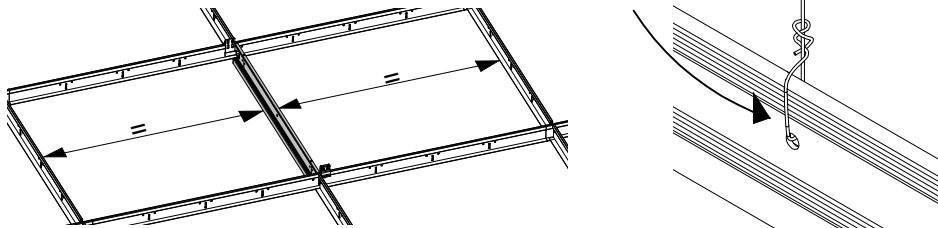
- ONCE PROPERLY INSTALLED, YOU WILL BE ABLE TO COMPLETE THE CEILING WITH 2'x2' (60x60cm) OR 2'x4' (60x120cm) TILES

- IN AN EXISTING SUSPENDED CEILING 9/16" (T15), LOCATE THE 2' (60cm) OR 4' (120cm) CROSS TEES THAT ARE INTENDED TO BE SUBSTITUTED WITH THE 2' (60cm) OR 4' (120cm) T-BAR LED Smartlight™ (ACCORDING TO THE LIGHT REQUIREMENT)
- TEMPORARILY REMOVE THE TILES WITHIN THE SPACE YOU SELECTED
- REMOVE THE 2' (60cm) OR 4' (120cm) CROSS TEE AND REPLACE IT WITH THE 2' (60cm) OR 4' (120cm) T-BAR LED Smartlight™
- ONCE PROPERLY INSTALLED, PLACE THE 2'x2' (60x60cm) OR 2'x4' (60x120cm) TILES BACK



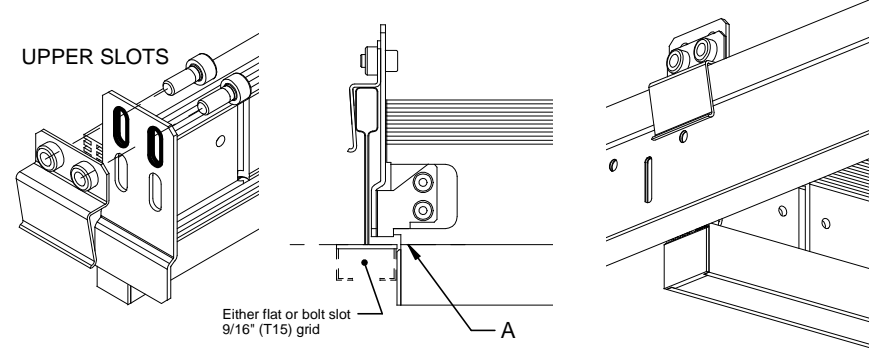
NOTE: MAKE SURE THAT THE T-BAR LED Smartlight™ IS POSITIONED TO ALLOW THE CORRECT PLACING OF THE CORRESPONDENT TILES

T-BAR LED Smartlight™ MUST BE ANCHORED TO THE ABOVE BUILDING STRUCTURE WITH A STEEL CABLE USING THE CENTER HOLE. (STEEL CABLE BY OTHERS)



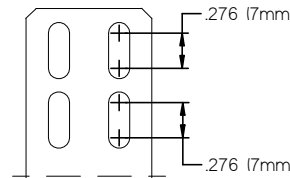
HOW I INSTALL THE T-BAR LED Smartlight™

- PLACE THE PRODUCT OVER THE GRID FOLLOWING THE BELOW CONFIGURATION
- MAKE SURE THAT THE UPPER PLANE OF THE T-BAR LED Smartlight IS AT THE SAME PLANE WITH THE UPPER PLANE OF THE GRID AS SHOWN IN DETAIL "A"

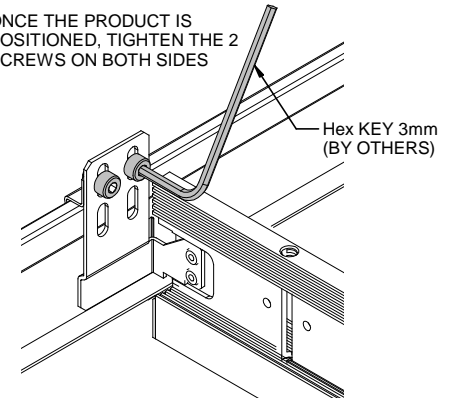


NOTE:

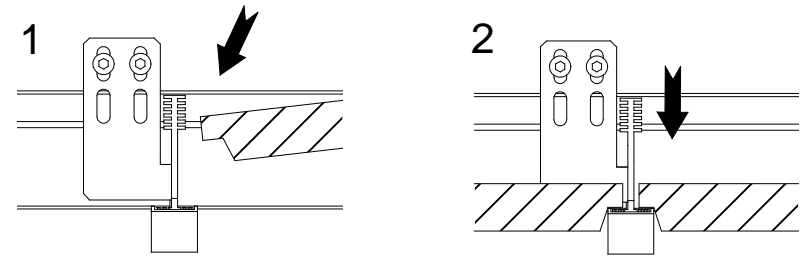
THE SLOTS ON THE MOUNTING BRACKET ARE DESIGNED TO ACCOMMODATE DIFFERENT GRID HEIGHTS



ONCE THE PRODUCT IS POSITIONED, TIGHTEN THE 2 SCREWS ON BOTH SIDES



- AFTER YOU HAVE ELECTRIFIED THE SYSTEM (SEE FOLLOWING PAGE FOR INSTRUCTION), YOU CAN INSTALL THE TILES IN THEIR CORRECT POSITION OVER THE T-BAR LED Smartlight PRODUCT



ATTENTION! READ ALL INSTRUCTIONS ENTIRELY BEFORE INSTALLATION

ATTENTION! READ ALL INSTRUCTIONS ENTIRELY BEFORE INSTALLATION